

# Data Sheet

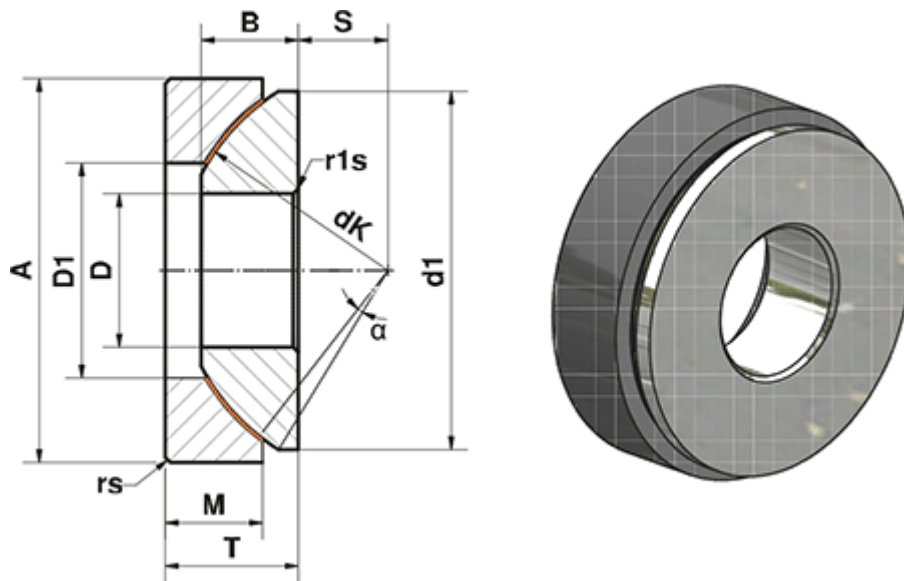


Article number: 03450060

Description: Fluro Heavy Duty Spherical Plain Bearing GE 60 AWE  
Hole  $\varnothing 60$

Note: 60

## Measures



A	= 150	M	= 34
a (degrees)	= 6	rs, r1s min	= 1
B	= 37	S	= 35
D	= 60	Static load C0 (kN)	= 3790
D1	= 86.5	T	= 45
d1 min	= 140	Weight (g)	= 4630
dK	= 160		
Dynamic load C (kN)	= 2274		